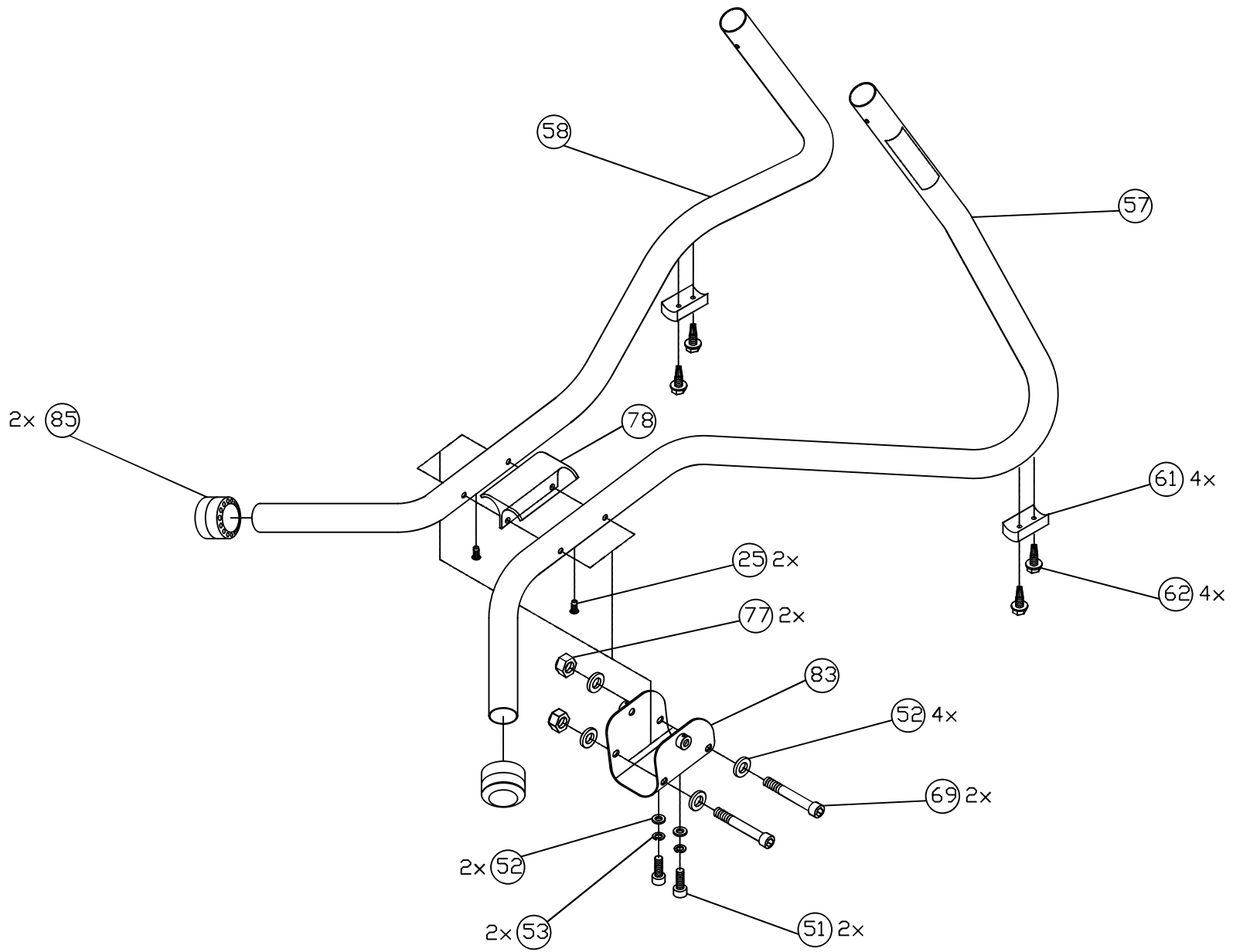
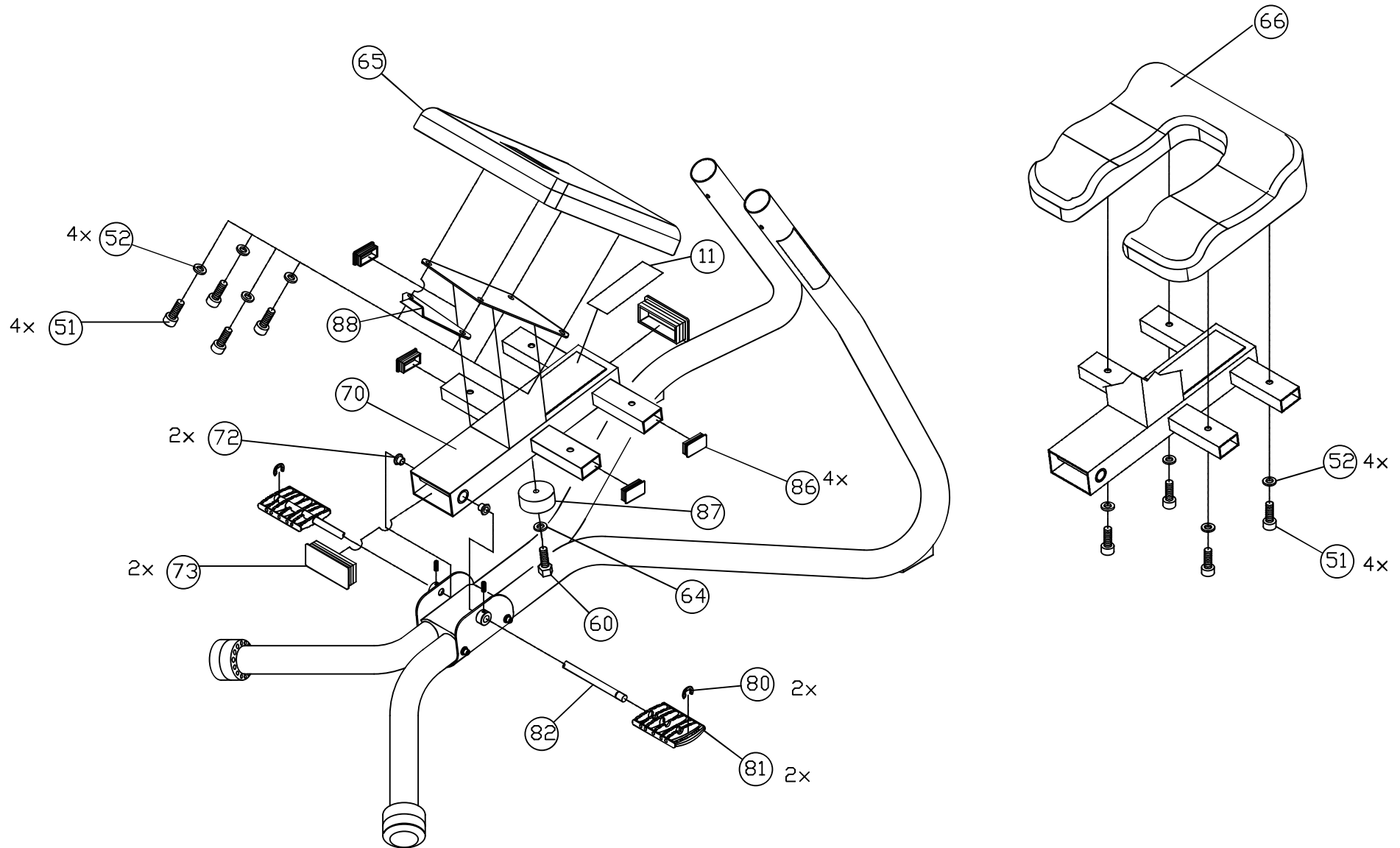


C240 STRETCH TRAINER	P/N 38873-106	REV.W
DRAWN BY: KAW	DATE: 3/18/14	SHEET 1 OF 3



C240 STRETCH TRAINER	P/N 38873-106	REV.W
DRAWN BY: KAW	DATE: 3/18/14	SHEET 2 OF 3



C240 STRETCH TRAINER	P/N 38873-106	REV.W
DRAWN BY: KAW	DATE: 3/18/14	SHEET 3 OF 3

### C240 version 3 (serial code A887)

Part Number	Description	Bubble Number
APMD000147101	LABEL, MADE IN CHINA	10
303061101	WARNING LABEL, STRETCH TRAINER	11
38306101	GRIP, MOLDED, PVC PLASTISAL	22
AP060066101	ROUND TUBE END	23
37696102	CAP, HANDLE BAR	24
37715101	HANDLEBAR SPACER	26
49506103	PLACARD, HANDLEBAR, C240 VER 3, INJ	50
49506105	PLACARD, HANDLEBAR, C240 VER 3, INJ	50
CACN031100	SCREW, SKHD, 5/16-18X1.00, ZN	51
WBLCN008002	WASHER, FLAT, 8MMX16MMX2MM, E-COAT	52
WBWCN008002	WASHER, 8MM SPLIT LOCK, CLEAR ZINC	53
44920103	STRAP, WRIST, 240, SPACE BLUE	55
44910182	FRAME TUBE, RIGHT, EXPERIENCE TITANI	57
44910101	FRAME TUBE, LEFT, GRAY, PT	58
44910181	FRAME TUBE, LEFT, EXPERIENCE TITAN	58
EACN025025	SCREW, SET, 1/4-28 X 1/4"	59
HCCN031100	SCREW, HEX, GR 5, 5/16-18 X 1.0, ZN	60
37535101	FOOT, FIXED	61
PADCN019075	SCREW, S/T, #10-32 X 3/4 WSHHXHD, ZN T	62
WKCN008002	WASHER, FLT, 8MM X 25MM X 2.0MM, ZN	64
WNCN034008	WASHER, 5/16 X 1.00 X .080, ZN	64
37687205	SEAT, VINYL, C240	65
CACN031500	SCREW, SKHD, 5/16-18X5.0, ZN, LK	69
44908102	WELDMENT, SEAT SUPPORT, BLACK, PT	70
12286102	STEP SPACER, METRIC, 12.8ID, 18L, BRNZ	72
44923101	BUSHING, (MM) 19.45OD, 12.8ID, 18L	72
44922101	ENDCAP, 50MMX100MM	73
KDCN031025	LOCKNUT, FULL 5/16-18, ZINC	77
44917101	BRACKET, ALIGNMENT, TUBE	78
AEHN050004	E-RING, .50 DIA X .42 THICK	80
38005101	PEDAL	81
44914101	SHAFT, PIVOT	82
44909181	WELDMENT, PIVOT BRACKET, EXPERIENCE	83
44916102	FOOT, ADJUSTABLE	85
41177101	ENDCAP, 25MMX50MM	86
43533101	BUMPER	87
44912101	SEAT BUMPER BRACKET	88
10186105	WRENCH, ALLEN 6MM (4-5/8)	200
10186118	WRENCH, ALLEN 3MM	201
44913103	KIT, HARDWARE, C240	202
44915101	BAG, PLASTIC PARTS	204
38866112	KIT, LITERATURE, STRETCHTRAINER UPD	999